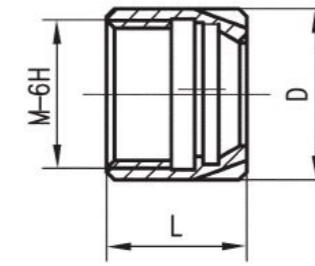


| ОБОЗНАЧЕНИЕ | D  | L   | ДИАПАЗОН ЗАЖИМА МЕТЧИКОВ |
|-------------|----|-----|--------------------------|
| BT30-12 TCW | 36 | 85  | M3-M12                   |
| BT40-12 TCW | 36 | 95  | M3-M12                   |
| BT40-24 TCW | 56 | 140 | M12-M24                  |
| BT50-12 TCW | 36 | 105 | M3-M12                   |
| BT50-24 TCW | 56 | 150 | M12-M24                  |

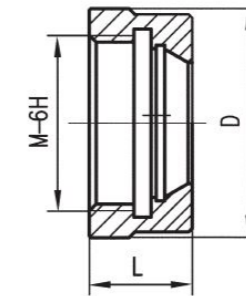
РЕЗЬБОВЫЕ ВСТАВКИ



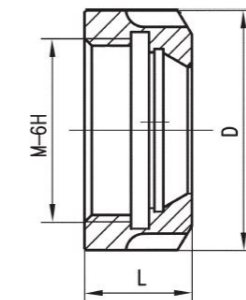
| ОБОЗНАЧЕНИЕ | D  | L  | ДИАПАЗОН ЗАЖИМА МЕТЧИКОВ |
|-------------|----|----|--------------------------|
| G3 TCW      | 32 | 19 | M3                       |
| G4 TCW      | 32 | 19 | M4                       |
| G5 TCW      | 32 | 19 | M5                       |
| G6 TCW      | 32 | 19 | M6                       |
| G8 TCW      | 32 | 19 | M8                       |
| G10 TCW     | 32 | 19 | M10                      |
| G12 TCW     | 50 | 31 | M12                      |
| G14 TCW     | 50 | 31 | M14                      |
| G16 TCW     | 50 | 31 | M16                      |
| G18 TCW     | 50 | 31 | M18                      |
| G20 TCW     | 50 | 31 | M20                      |
| G22 TCW     | 50 | 31 | M22                      |
| G24 TCW     | 50 | 31 | M24                      |



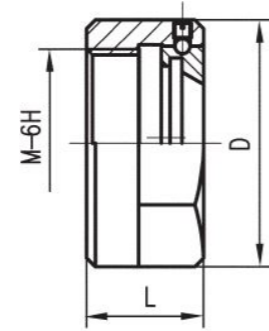
| ОБОЗНАЧЕНИЕ | L    | D  | M         |
|-------------|------|----|-----------|
| ER8M-CN     | 10,8 | 12 | M10x0,75P |
| ER11M-CN    | 12   | 16 | M13x0,75P |
| ER16M-CN    | 18   | 22 | M19x1,0P  |
| ER20M-CN    | 19   | 28 | M24x1,0P  |
| ER25M-CN    | 20   | 35 | M30x1,0P  |



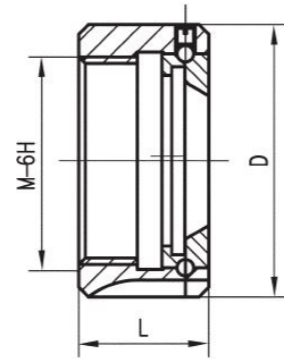
| ОБОЗНАЧЕНИЕ | L    | D  | M         |
|-------------|------|----|-----------|
| ER11A-CN    | 13   | 19 | M14x0,75P |
| ER16A-CN    | 18,7 | 28 | M22x1,5P  |
| ER20A-CN    | 19   | 34 | M25x1,5P  |



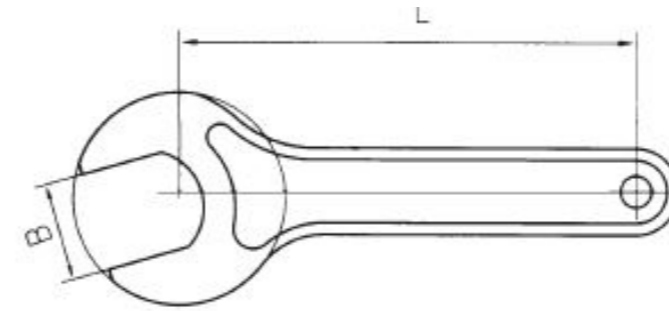
| ОБОЗНАЧЕНИЕ | L  | D  | M        |
|-------------|----|----|----------|
| ER25UM-CN   | 20 | 42 | M32x1,5P |
| ER32UM-CN   | 24 | 50 | M40x1,5P |
| ER40UM-CN   | 26 | 63 | M50x1,5P |
| ER50UM-CN   | 35 | 78 | M64x2,0P |



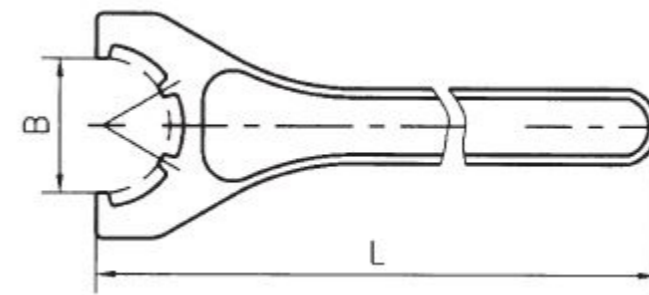
| ОБОЗНАЧЕНИЕ | L    | D  | M         |
|-------------|------|----|-----------|
| ER11B-CN    | 13   | 19 | M14x0,75P |
| ER16B-CN    | 18,7 | 28 | M22x1,5P  |
| ER20B-CN    | 19   | 34 | M25x1,5P  |



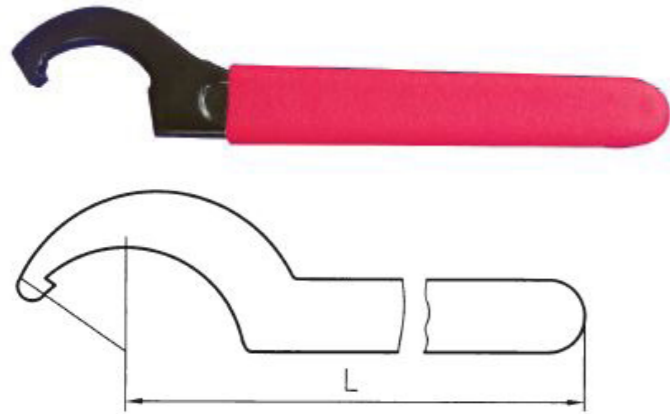
| ОБОЗНАЧЕНИЕ | L  | D  | M        |
|-------------|----|----|----------|
| ER25GM-CN   | 20 | 42 | M32x1,5P |
| ER32GM-CN   | 24 | 50 | M40x1,5P |
| ER40GM-CN   | 26 | 63 | M50x1,5P |
| ER50GM-CN   | 35 | 78 | M64x2,0P |



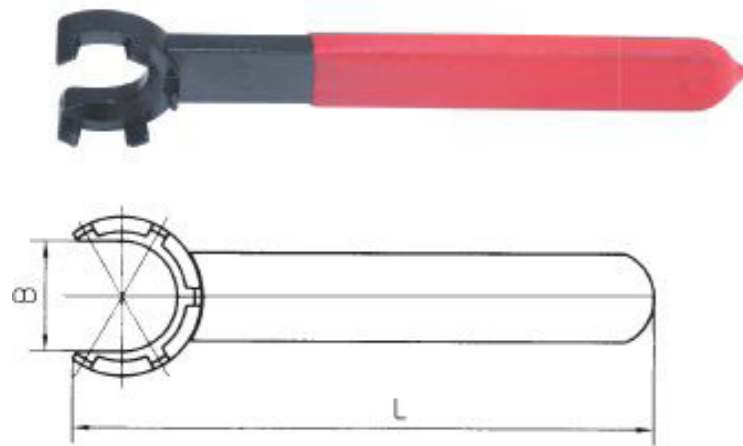
| ОБОЗНАЧЕНИЕ | A  | L   |
|-------------|----|-----|
| ER11A-CW    | 35 | 130 |
| ER16A-CW    | 44 | 140 |
| ER20A-CW    | 53 | 170 |



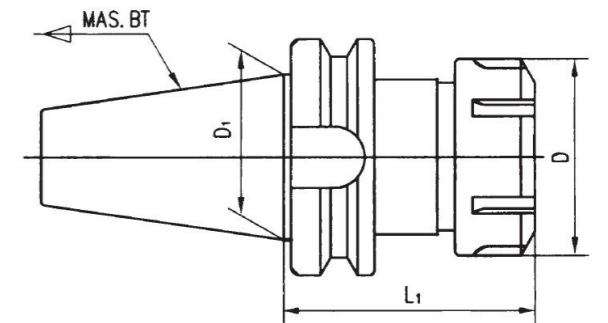
| ОБОЗНАЧЕНИЕ | A   | L   |
|-------------|-----|-----|
| ER16UM-CW   | 45  | 150 |
| ER20UM-CW   | 55  | 170 |
| ER25UM-CW   | 65  | 210 |
| ER32UM-CW   | 75  | 250 |
| ER40UM-CW   | 90  | 290 |
| ER50UM-CW   | 110 | 350 |



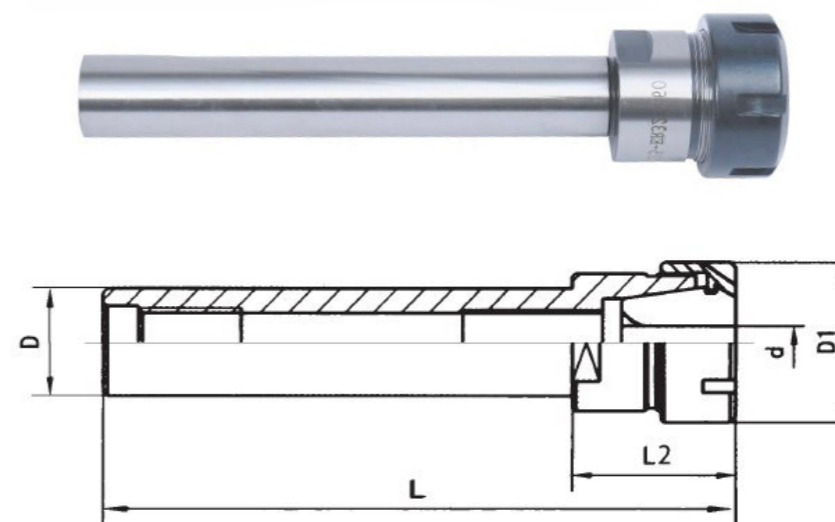
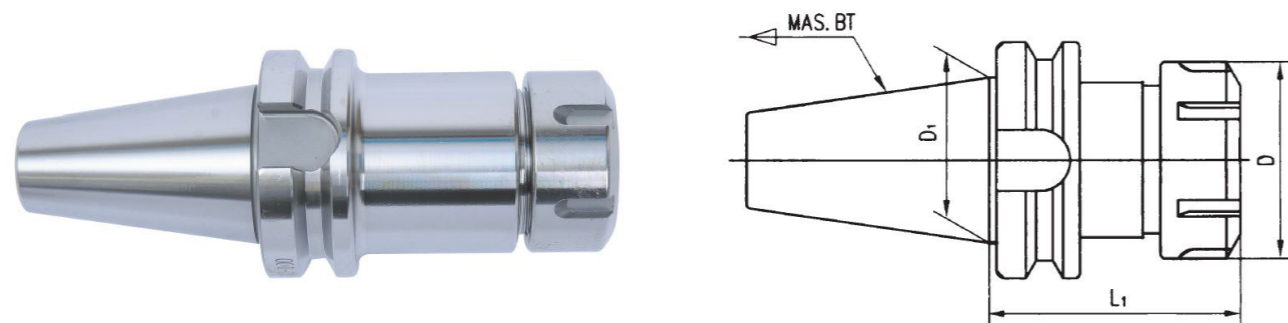
| ОБОЗНАЧЕНИЕ | L   | РАЗМЕР | ЗАЖИМНАЯ КРЫШКА |
|-------------|-----|--------|-----------------|
| SER25-CW    | 168 | 38-42  | ER25-B ER25-T2  |
| SER32-CW    | 190 | 45-52  | ER32-B ER32-T2  |
| SER40-CW    | 210 | 55-63  | ER40-B ER40-T2  |
| SER50-CW    | 240 | 78-85  | ER50-B ER50-T2  |



| ОБОЗНАЧЕНИЕ | B    | L   |
|-------------|------|-----|
| ER8M-CW     | 13   | 75  |
| ER11M-CW    | 17   | 95  |
| ER16M-CW    | 22,5 | 118 |
| ER20M-CW    | 28   | 130 |
| ER25M-CW    | 36,5 | 135 |

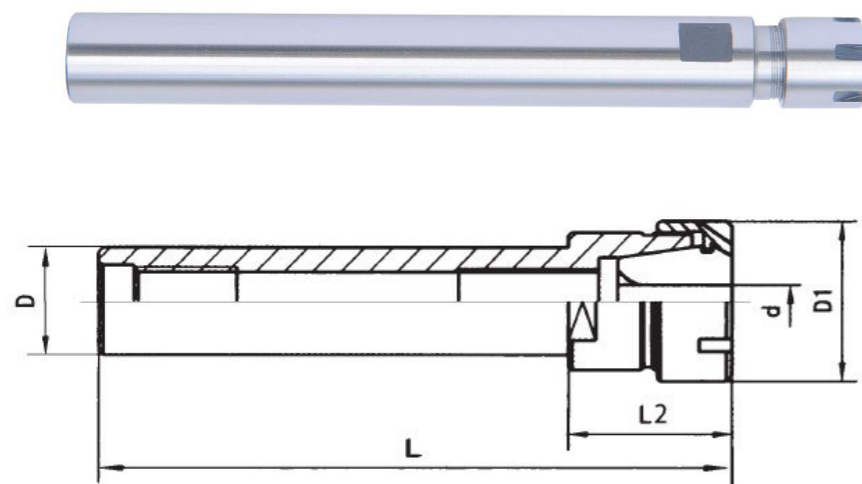


| ОБОЗНАЧЕНИЕ     | D  | D1    | L1  |
|-----------------|----|-------|-----|
| BT30-ER16-70WC  | 28 | 31,75 | 70  |
| BT30-ER20-70WC  | 34 | 31,75 | 70  |
| BT30-ER25-70WC  | 42 | 31,75 | 70  |
| BT30-ER32-70WC  | 50 | 31,75 | 70  |
| BT30-ER40-80WC  | 63 | 31,75 | 80  |
| BT40-ER16-70WC  | 28 | 44,45 | 70  |
| BT40-ER20-70WC  | 34 | 44,45 | 70  |
| BT40-ER20-100WC | 34 | 44,45 | 100 |
| BT40-ER20-150WC | 34 | 44,45 | 150 |
| BT40-ER25-60WC  | 42 | 44,45 | 60  |
| BT40-ER25-70WC  | 42 | 44,45 | 70  |
| BT40-ER25-90WC  | 42 | 44,45 | 90  |
| BT40-ER25-100WC | 42 | 44,45 | 100 |
| BT40-ER25-150WC | 42 | 44,45 | 150 |
| BT40-ER32-70WC  | 50 | 44,45 | 70  |
| BT40-ER32-100WC | 50 | 44,45 | 100 |
| BT40-ER32-150WC | 50 | 44,45 | 150 |
| BT40-ER40-70WC  | 63 | 44,45 | 70  |
| BT40-ER40-80WC  | 63 | 44,45 | 80  |
| BT40-ER40-120WC | 63 | 44,45 | 120 |
| BT40-ER40-150WC | 63 | 44,45 | 150 |
| BT45-ER16-70WC  | 28 | 57,15 | 70  |
| BT45-ER20-70WC  | 34 | 57,15 | 70  |
| BT45-ER20-100WC | 34 | 57,15 | 100 |
| BT45-ER25-70WC  | 42 | 57,15 | 70  |
| BT45-ER25-90WC  | 42 | 57,15 | 90  |
| BT45-ER25-100WC | 42 | 57,15 | 100 |

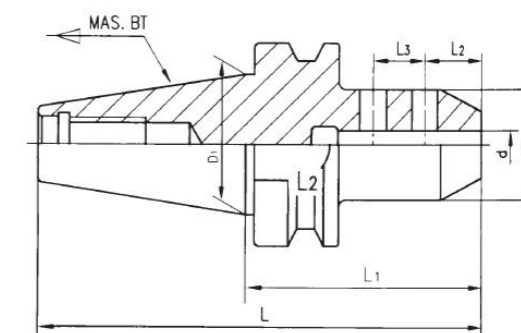


| ОБОЗНАЧЕНИЕ     | D  | D1    | L1  |
|-----------------|----|-------|-----|
| BT45-ER32-70WC  | 50 | 57,15 | 70  |
| BT45-ER32-100WC | 50 | 57,15 | 100 |
| BT45-ER32-120WC | 50 | 57,15 | 120 |
| BT45-ER40-80WC  | 63 | 57,15 | 80  |
| BT45-ER40-100WC | 63 | 57,15 | 100 |
| BT45-ER40-120WC | 63 | 57,15 | 120 |
| BT50-ER16-70WC  | 28 | 69,85 | 70  |
| BT50-ER16-90WC  | 28 | 69,85 | 90  |
| BT50-ER16-135WC | 28 | 69,85 | 135 |
| BT50-ER20-70WC  | 34 | 69,85 | 70  |
| BT50-ER20-90WC  | 34 | 69,85 | 90  |
| BT50-ER20-135WC | 34 | 69,85 | 135 |
| BT50-ER20-150WC | 34 | 69,85 | 150 |
| BT50-ER20-165WC | 34 | 69,85 | 165 |
| BT50-ER25-70WC  | 42 | 69,85 | 70  |
| BT50-ER25-135WC | 42 | 69,85 | 135 |
| BT50-ER25-165WC | 42 | 69,85 | 165 |
| BT50-ER32-70WC  | 50 | 69,85 | 70  |
| BT50-ER32-80WC  | 50 | 69,85 | 80  |
| BT50-ER32-100WC | 50 | 69,85 | 100 |
| BT50-ER32-120WC | 50 | 69,85 | 120 |
| BT50-ER40-80WC  | 63 | 69,85 | 80  |
| BT50-ER40-100WC | 63 | 69,85 | 100 |
| BT50-ER40-120WC | 63 | 69,85 | 120 |
| BT50-ER40-135WC | 63 | 69,85 | 135 |
| BT50-ER50-90WC  | 78 | 69,85 | 90  |
| BT50-ER50-120WC | 78 | 69,85 | 120 |

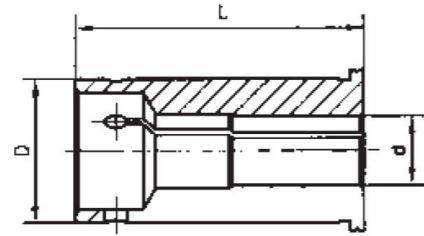
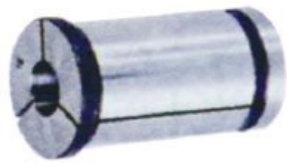
| ОБОЗНАЧЕНИЕ     | D1 | L1  | L  | D  | ТИП  |
|-----------------|----|-----|----|----|------|
| C20-ER16A-50WC  | 20 | 50  | 30 | 28 | ER16 |
| C20-ER16A-100WC | 20 | 100 | 30 | 28 | ER16 |
| C20-ER16A-150WC | 20 | 150 | 30 | 28 | ER16 |
| C20-ER20A-50WC  | 20 | 50  | 36 | 34 | ER20 |
| C20-ER20A-100WC | 20 | 100 | 36 | 34 | ER20 |
| C20-ER25-50WC   | 20 | 50  | 46 | 42 | ER25 |
| C20-ER20-100WC  | 20 | 100 | 46 | 42 | ER25 |
| C20-ER25-150WC  | 20 | 150 | 46 | 42 | ER25 |
| C25-ER16-100WC  | 25 | 100 | 30 | 28 | ER16 |
| C25-ER16-150WC  | 25 | 150 | 30 | 28 | ER16 |
| C25-ER20-150WC  | 25 | 150 | 36 | 34 | ER20 |
| C25-ER25-100WC  | 25 | 100 | 46 | 42 | ER25 |
| C25-ER25-150WC  | 25 | 150 | 46 | 42 | ER25 |
| C25-ER32-80WC   | 25 | 80  | 54 | 50 | ER32 |
| C25-ER40-100WC  | 25 | 100 | 55 | 63 | ER40 |
| C32-ER25-60WC   | 32 | 60  | 46 | 42 | ER25 |
| C32-ER32-100WC  | 32 | 100 | 54 | 50 | ER32 |
| C32-ER40-100WC  | 32 | 100 | 55 | 63 | ER40 |
| C40-ER32-100WC  | 40 | 100 | 54 | 50 | ER32 |
| C40-ER40-100WC  | 40 | 100 | 55 | 63 | ER40 |



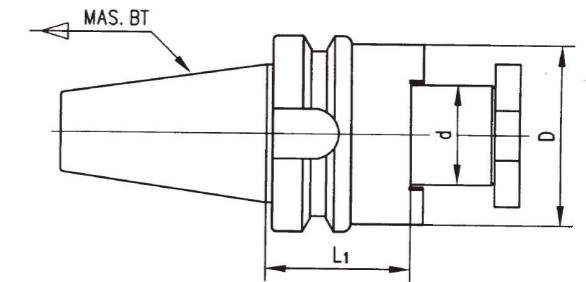
| ОБОЗНАЧЕНИЕ     | D1 | L1  | L  | D  | ТИП  |
|-----------------|----|-----|----|----|------|
| C10-ER8M-100WC  | 10 | 100 | 10 | 12 | ER8  |
| C12-ER8M-100WC  | 12 | 100 | 10 | 12 | ER8  |
| C12-ER11M-100WC | 12 | 100 | 12 | 16 | ER11 |
| C12-ER16M-80WC  | 12 | 80  | 18 | 22 | ER16 |
| C12-ER16M-100WC | 12 | 100 | 18 | 22 | ER16 |
| C16-ER11M-100WC | 16 | 100 | 12 | 16 | ER11 |
| C16-ER11M-150WC | 16 | 150 | 12 | 16 | ER11 |
| C16-ER16M-100WC | 16 | 100 | 18 | 22 | ER16 |
| C16-ER16M-150WC | 16 | 150 | 18 | 22 | ER16 |
| C16-ER20M-100WC | 16 | 100 | 19 | 28 | ER20 |
| C16-ER20M-150WC | 16 | 150 | 19 | 28 | ER20 |
| C20-ER11M-150WC | 20 | 150 | 12 | 16 | ER11 |
| C20-ER16M-100WC | 20 | 100 | 18 | 22 | ER16 |
| C20-ER16M-150WC | 20 | 150 | 18 | 22 | ER16 |
| C20-ER20M-100WC | 20 | 100 | 19 | 28 | ER20 |
| C20-ER20M-150WC | 20 | 150 | 19 | 28 | ER20 |



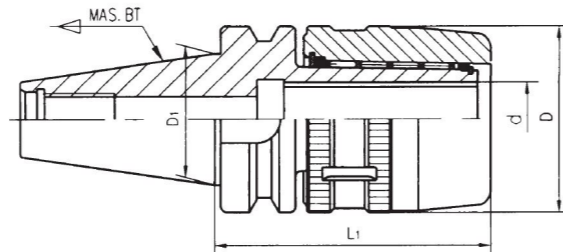
| ОБОЗНАЧЕНИЕ      | L     | D  | D1   | L2   | L3 | МАССА (КГ) |
|------------------|-------|----|------|------|----|------------|
| BT30-SLN6-50WC   | 98,4  | 25 | 31,8 | 18   |    | 0,66       |
| BT30-SLN6-60WC   | 108,4 | 25 | 31,8 | 18   |    | 0,72       |
| BT30-SLN8-60WC   | 108,4 | 28 | 31,8 | 18   |    | 0,8        |
| BT30-SLN10-60WC  | 108,4 | 35 | 31,8 | 20   |    | 0,83       |
| BT30-SLN12-60WC  | 108,4 | 42 | 31,8 | 22,5 |    | 0,88       |
| BT30-SLN14-60WC  | 108,4 | 44 | 31,8 | 22,5 |    | 1,02       |
| BT30-SLN16-75WC  | 123,4 | 48 | 31,8 | 24   |    | 1,04       |
| BT30-SLN20-75WC  | 123,4 | 52 | 31,8 | 25   |    | 1,36       |
| BT30-SLN25-90WC  | 138,4 | 65 | 31,8 | 24   | 25 | 1,5        |
| BT40-SLN6-50WC   | 115,4 | 25 | 44,5 | 18   |    | 0,96       |
| BT40-SLN8-50WC   | 115,4 | 28 | 44,5 | 18   |    | 1          |
| BT40-SLN10-63WC  | 128,4 | 35 | 44,5 | 20   |    | 1,08       |
| BT40-SLN12-63WC  | 128,4 | 42 | 44,5 | 22,5 |    | 1,2        |
| BT40-SLN14-63WC  | 128,4 | 44 | 44,5 | 22,5 |    | 1,22       |
| BT40-SLN16-63WC  | 128,4 | 48 | 44,5 | 24   |    | 1,24       |
| BT40-SLN20-70WC  | 135,4 | 52 | 44,5 | 25   |    | 2,1        |
| BT40-SLN25-100WC | 165,4 | 65 | 44,5 | 24   | 25 | 2,08       |
| BT40-SLN32-100WC | 165,4 | 72 | 44,5 | 24   | 28 | 2,25       |
| BT40-SLN40-120WC | 185,4 | 90 | 44,5 | 30   | 32 | 2,5        |
| BT50-SLN6-63WC   | 164,8 | 25 | 69,9 | 18   |    | 3,2        |
| BT50-SLN8-63WC   | 164,8 | 28 | 69,9 | 18   |    | 3,23       |
| BT50-SLN10-63WC  | 164,8 | 35 | 69,9 | 20   |    | 3,24       |
| BT50-SLN12-80WC  | 181,8 | 42 | 69,9 | 22,5 |    | 3,36       |
| BT50-SLN16-80WC  | 181,8 | 48 | 69,9 | 24   |    | 3,48       |
| BT50-SLN20-80WC  | 181,8 | 52 | 69,9 | 25   |    | 3,52       |
| BT50-SLN25-100WC | 201,8 | 65 | 69,9 | 24   | 25 | 4,28       |
| BT50-SLN32-100WC | 201,8 | 72 | 69,9 | 24   | 28 | 4,44       |
| BT50-SLN40-115WC | 216,8 | 90 | 69,9 | 30   | 32 | 4,58       |



| ОБОЗНАЧЕНИЕ | D  | d    | L  |
|-------------|----|------|----|
| C16WC       | 16 | 4-12 | 45 |
| C22WC       | 22 | 4-16 | 55 |
| C20WC       | 20 | 4-16 | 50 |
| C25WC       | 25 | 4-20 | 60 |
| C32WC       | 32 | 4-25 | 65 |
| C42WC       | 42 | 6-32 | 80 |
| C40WC       | 40 | 6-32 | 80 |

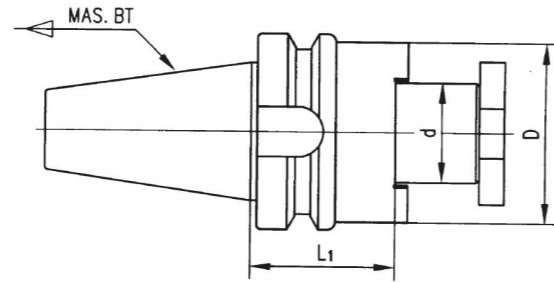


СИЛОВОЙ ПАТРОН

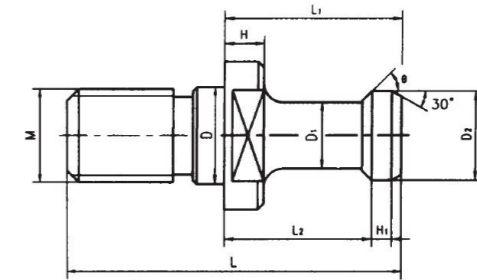
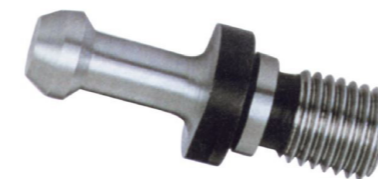


| ОБОЗНАЧЕНИЕ    | d  | D  | D1    | L1  |
|----------------|----|----|-------|-----|
| BT40-C16-86WC  | 16 | 50 | 44,45 | 86  |
| BT40-C22-90WC  | 22 | 56 | 44,45 | 90  |
| BT40-C22-100WC | 22 | 56 | 44,45 | 100 |
| BT40-C22-135WC | 22 | 56 | 44,45 | 135 |
| BT40-C25-100WC | 25 | 63 | 44,45 | 100 |
| BT40-C25-105WC | 25 | 63 | 44,45 | 105 |
| BT40-C32-100WC | 32 | 70 | 44,45 | 100 |
| BT40-C32-105WC | 32 | 70 | 44,45 | 105 |
| BT40-C32-135WC | 32 | 70 | 44,45 | 135 |
| BT40-C42-115WC | 42 | 90 | 44,45 | 115 |
| BT50-C22-100WC | 22 | 56 | 69,85 | 100 |
| BT50-C32-110WC | 32 | 70 | 69,85 | 110 |
| BT50-C32-150WC | 32 | 70 | 69,85 | 150 |
| BT50-C42-120WC | 42 | 90 | 69,85 | 120 |
| BT50-C42-150WC | 42 | 90 | 69,85 | 150 |
| BT50-C42-160WC | 42 | 90 | 69,85 | 160 |

| ОБОЗНАЧЕНИЕ      | d  | D  | L1  | МАССА (кг) |
|------------------|----|----|-----|------------|
| BT30-FMB16-60WC  | 16 | 32 | 60  | 1          |
| BT30-FMB22-60WC  | 22 | 40 | 60  | 1,3        |
| BT30-FMB27-60WC  | 27 | 48 | 60  | 1,5        |
| BT30-FMB32-60WC  | 32 | 58 | 60  | 1,8        |
| BT30-FMB40-60WC  | 40 | 70 | 60  | 2,2        |
| BT40-FMB16-45WC  | 16 | 32 | 45  | 1          |
| BT40-FMB16-60WC  | 16 | 32 | 60  | 1,3        |
| BT40-FMB16-120WC | 16 | 32 | 120 | 1,7        |
| BT40-FMB22-45WC  | 22 | 40 | 45  | 1,5        |
| BT40-FMB22-60WC  | 22 | 40 | 60  | 1,7        |
| BT40-FMB22-100WC | 22 | 40 | 100 | 3          |
| BT40-FMB22-120WC | 22 | 40 | 120 | 3,6        |
| BT40-FMB27-45WC  | 27 | 48 | 45  | 1,5        |
| BT40-FMB27-60WC  | 27 | 48 | 60  | 1,6        |
| BT40-FMB27-75WC  | 27 | 48 | 75  | 1,8        |
| BT40-FMB27-105WC | 27 | 48 | 105 | 2,1        |
| BT40-FMB27-120WC | 27 | 48 | 120 | 2,3        |
| BT40-FMB32-45WC  | 32 | 58 | 45  | 1,2        |
| BT40-FMB32-60WC  | 32 | 58 | 60  | 1,5        |
| BT40-FMB32-75WC  | 32 | 58 | 75  | 1,8        |
| BT40-FMB32-120WC | 32 | 58 | 120 | 2,8        |
| BT40-FMB40-60WC  | 40 | 70 | 60  | 2          |

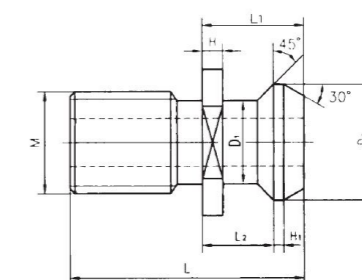


| ОБОЗНАЧЕНИЕ      | d  | D  | L1  | МАССА (кг) |
|------------------|----|----|-----|------------|
| BT40-FMB40-75WC  | 40 | 70 | 75  | 2,2        |
| BT40-FMB50-70WC  | 50 | 90 | 70  | 2,5        |
| BT50-FMB16-60WC  | 16 | 32 | 60  | 3,6        |
| BT50-FMB16-75WC  | 16 | 32 | 75  | 3,9        |
| BT50-FMB16-120WC | 16 | 32 | 120 | 4,3        |
| BT50-FMB22-60WC  | 22 | 40 | 60  | 5          |
| BT50-FMB22-75WC  | 22 | 40 | 75  | 4          |
| BT50-FMB22-100WC | 22 | 40 | 100 | 4,5        |
| BT50-FMB22-120WC | 22 | 40 | 120 | 5          |
| BT50-FMB27-60WC  | 27 | 48 | 60  | 5,5        |
| BT50-FMB27-105WC | 27 | 48 | 105 | 4          |
| BT50-FMB32-60WC  | 32 | 58 | 60  | 4,5        |
| BT50-FMB32-75WC  | 32 | 58 | 75  | 1,6        |
| BT50-FMB32-105WC | 32 | 58 | 105 | 1,8        |
| BT50-FMB40-60WC  | 40 | 70 | 60  | 2,2        |
| BT50-FMB40-75WC  | 40 | 70 | 75  | 3,6        |
| BT50-FMB40-90WC  | 40 | 70 | 90  | 3,7        |
| BT50-FMB40-100WC | 40 | 70 | 100 | 3,75       |
| BT50-FMB40-105WC | 40 | 70 | 105 | 3,8        |
| BT50-FMB50-60WC  | 50 | 90 | 60  | 4          |
| BT50-FMB50-70WC  | 50 | 90 | 70  | 4,2        |
| BT50-FMB50-120WC | 50 | 90 | 120 | 4,4        |

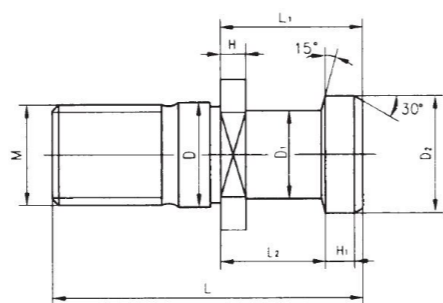
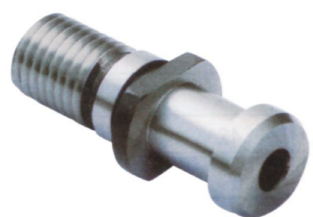


| ОБОЗНАЧЕНИЕ | D    | D1 | D2 | M   | L  | L1 | L2 | H  | H1  | УГОЛ (θ) |
|-------------|------|----|----|-----|----|----|----|----|-----|----------|
| BT30-45     | 12,5 | 7  | 11 | M12 | 43 | 23 | 18 | 5  | 2,5 | 45       |
| BT30-60     | 12,5 | 7  | 11 | M13 | 43 | 23 | 18 | 5  | 2,5 | 60       |
| BT30-90     | 12,5 | 7  | 11 | M14 | 43 | 23 | 18 | 5  | 2,5 | 90       |
| BT40-45     | 17   | 10 | 15 | M16 | 60 | 35 | 28 | 6  | 3   | 45       |
| BT40-60     | 17   | 10 | 15 | M17 | 60 | 35 | 28 | 6  | 3   | 60       |
| BT40-90     | 17   | 10 | 15 | M18 | 60 | 35 | 28 | 6  | 3   | 90       |
| BT45-45     | 21   | 14 | 19 | M20 | 70 | 40 | 31 | 8  | 4   | 45       |
| BT45-60     | 21   | 14 | 19 | M21 | 70 | 40 | 31 | 8  | 4   | 60       |
| BT45-90     | 21   | 14 | 19 | M22 | 70 | 40 | 31 | 8  | 4   | 90       |
| BT50-45     | 25   | 17 | 23 | M24 | 85 | 45 | 35 | 10 | 5   | 45       |
| BT50-60     | 25   | 17 | 23 | M25 | 85 | 45 | 35 | 10 | 5   | 60       |
| BT50-90     | 25   | 17 | 23 | M26 | 85 | 45 | 35 | 10 | 5   | 90       |

ШТРЕВЕЛЬ ANSI/ASME B5.50

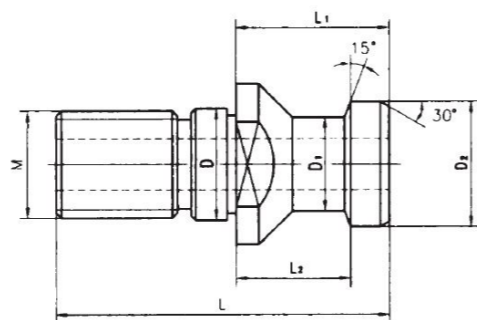
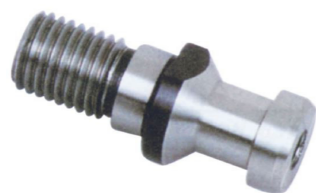


| ОБОЗНАЧЕНИЕ | D1    | D2    | M       | L     | L1    | L2    | H    | H1   |
|-------------|-------|-------|---------|-------|-------|-------|------|------|
| LDA-30WC    | 9,78  | 13,21 | 1/2»-13 | 27,94 | 11,68 | 8,13  | 2,54 | 1,01 |
| LDA-40WC    | 12,45 | 18,8  | 5/8»-11 | 38,1  | 16,26 | 11,18 | 3,05 | 1,52 |
| LDA-45WC    | 15,37 | 23,88 | 3/4»-10 | 45,72 | 20,83 | 14,73 | 4,06 | 2,03 |
| LDA-50WC    | 20,83 | 28,96 | 1»-8    | 58,42 | 25,4  | 17,78 | 5,08 | 2,54 |



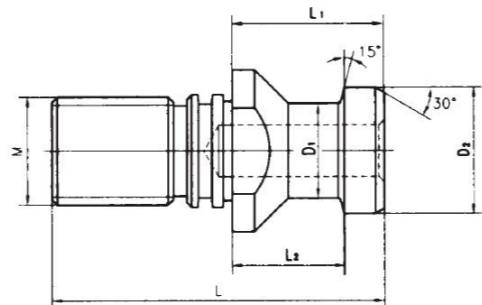
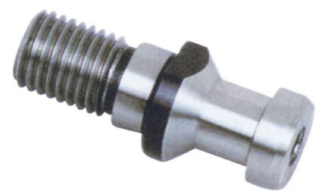
| ОБОЗНАЧЕНИЕ | D  | D1 | D2 | M   | L  | L1 | L2 | H | H1 |
|-------------|----|----|----|-----|----|----|----|---|----|
| LD1-30AWC   | 13 | 8  | 12 | M12 | 44 | 24 | 19 | 4 | 3  |
| LD1-40AWC   | 17 | 14 | 19 | M16 | 54 | 26 | 20 | 4 | 4  |
| LD1-45AWC   | 21 | 17 | 23 | M20 | 65 | 30 | 23 | 5 | 5  |
| LD1-50AWC   | 25 | 21 | 28 | M24 | 74 | 34 | 25 | 6 | 7  |

ШТРЕВЕЛЬ SK (DIN69872) С СОЖ

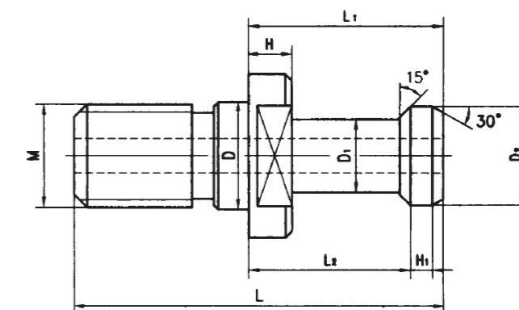
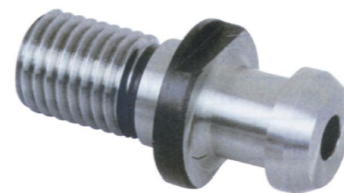


| ОБОЗНАЧЕНИЕ | D  | D1 | D2 | M   | L  | L1 | L2 |
|-------------|----|----|----|-----|----|----|----|
| LDD-30AWC   | 13 | 9  | 13 | M12 | 44 | 24 | 19 |
| LDD-40AWC   | 17 | 14 | 19 | M16 | 54 | 26 | 20 |
| LDD-45AWC   | 21 | 17 | 23 | M20 | 65 | 30 | 23 |
| LDD-50AWC   | 25 | 21 | 28 | M24 | 74 | 34 | 25 |

ШТРЕВЕЛЬ SK (DIN69872)

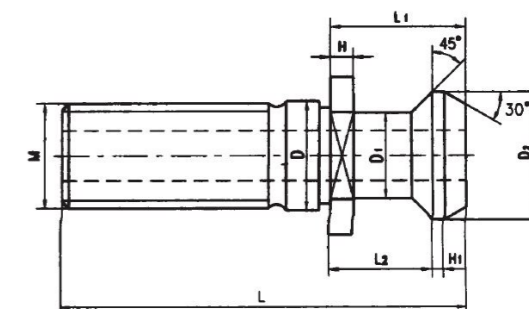


| ОБОЗНАЧЕНИЕ | D  | D1 | D2 | M   | L  | L1 | L2 |
|-------------|----|----|----|-----|----|----|----|
| LDD-30BWC   | 13 | 9  | 13 | M12 | 44 | 24 | 19 |
| LDD-40BWC   | 17 | 14 | 19 | M16 | 54 | 26 | 20 |
| LDD-45BWC   | 21 | 17 | 23 | M20 | 65 | 30 | 23 |
| LDD-50BWC   | 25 | 21 | 28 | M24 | 74 | 34 | 25 |



| ОБОЗНАЧЕНИЕ | D    | D1 | D2 | M   | L  | L1   | L2   | H  | H1 |
|-------------|------|----|----|-----|----|------|------|----|----|
| LDJ-30PWC   | 12,5 | 8  | 12 | M12 | 43 | 23,4 | 18,4 | 5  | 3  |
| LDJ-35PWC   | 12,5 | 11 | 15 | M12 | 44 | 24   | 19   | 5  | 3  |
| LDJ-40PWC   | 17   | 14 | 19 | M16 | 54 | 29   | 23   | 7  | 3  |
| LDJ-45PWC   | 21   | 17 | 23 | M20 | 60 | 30   | 23   | 7  | 4  |
| LDJ-50PWC   | 25   | 21 | 28 | M24 | 74 | 34   | 25   | 7  | 5  |
| LDJ-55PWC   | 31   | 27 | 36 | M30 | 98 | 48   | 36   | 11 | 7  |

ШТРЕВЕЛЬ



| ОБОЗНАЧЕНИЕ | D  | D1    | D2    | M   | L    | L1    | L2    | H    | H1   |
|-------------|----|-------|-------|-----|------|-------|-------|------|------|
| LD1-30BWC   | 13 | 9,3   | 13,3  | M12 | 27   | 11,8  | 8,1   | 2,7  | 1,2  |
| LD1-35BWC   | 17 | 12,95 | 18,95 | M16 | 44,5 | 16,4  | 11,15 | 3,25 | 1,75 |
| LD1-40BWC   | 21 | 16,3  | 24,05 | M20 | 56   | 20,95 | 14,85 | 4,25 | 2,25 |
| LD1-45BWC   | 25 | 19,6  | 29,1  | M24 | 65,5 | 25,55 | 17,95 | 5,25 | 2,75 |



ПЕРЕХОДНАЯ ВТУЛКА ДЛЯ ИНСТРУМЕНТА С ЦИЛИНДРИЧЕСКИМ ХВОСТОВИКОМ



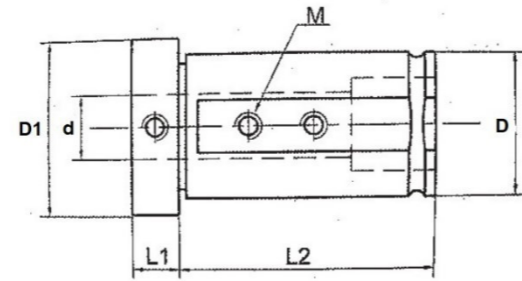
| ОБОЗНАЧЕНИЕ | ВНЕШНИЙ ДИАМЕТР (D) | ДЛИНА ЗАЖИМА (L) | ВНУТРЕННИЙ ДИАМЕТР (d) |
|-------------|---------------------|------------------|------------------------|
| D16-04      | 16                  | 40               | 4                      |
| D16-05      | 16                  | 40               | 5                      |
| D16-06      | 16                  | 40               | 6                      |
| D16-07      | 16                  | 40               | 7                      |
| D16-08      | 16                  | 40               | 8                      |
| D16-09      | 16                  | 40               | 9                      |
| D16-10      | 16                  | 40               | 10                     |
| D16-12      | 16                  | 40               | 12                     |
| D20-04      | 20                  | 50               | 4                      |
| D20-05      | 20                  | 50               | 5                      |
| D20-06      | 20                  | 50               | 6                      |
| D20-07      | 20                  | 50               | 7                      |
| D20-08      | 20                  | 50               | 8                      |
| D20-09      | 20                  | 50               | 9                      |
| D20-10      | 20                  | 50               | 10                     |
| D20-12      | 20                  | 50               | 12                     |
| D20-16      | 20                  | 50               | 16                     |
| D25-06      | 25                  | 50               | 6                      |
| D25-07      | 25                  | 50               | 7                      |
| D25-08      | 25                  | 50               | 8                      |
| D25-09      | 25                  | 50               | 9                      |
| D25-10      | 25                  | 50               | 10                     |
| D25-12      | 25                  | 50               | 12                     |
| D25-14      | 25                  | 50               | 14                     |
| D25-16      | 25                  | 50               | 16                     |
| D25-18      | 25                  | 50               | 18                     |
| D25-20      | 25                  | 50               | 20                     |
| D32-06      | 32                  | 60               | 6                      |
| D32-07      | 32                  | 60               | 7                      |
| D32-08      | 32                  | 60               | 8                      |
| D32-09      | 32                  | 60               | 9                      |
| D32-10      | 32                  | 60               | 10                     |
| D32-12      | 32                  | 60               | 12                     |
| D32-14      | 32                  | 60               | 14                     |

ПЕРЕХОДНАЯ ВТУЛКА ДЛЯ ИНСТРУМЕНТА С ЦИЛИНДРИЧЕСКИМ ХВОСТОВИКОМ



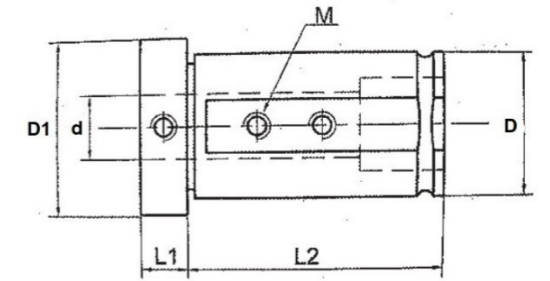
| ОБОЗНАЧЕНИЕ | ВНЕШНИЙ ДИАМЕТР (D) | ДЛИНА ЗАЖИМА (L) | ВНУТРЕННИЙ ДИАМЕТР (d) |
|-------------|---------------------|------------------|------------------------|
| D32-16      | 32                  | 60               | 16                     |
| D32-18      | 32                  | 60               | 18                     |
| D32-20      | 32                  | 60               | 20                     |
| D32-25      | 32                  | 60               | 25                     |
| D40-06      | 40                  | 75               | 6                      |
| D40-07      | 40                  | 75               | 7                      |
| D40-08      | 40                  | 75               | 8                      |
| D40-09      | 40                  | 75               | 9                      |
| D40-10      | 40                  | 75               | 10                     |
| D40-12      | 40                  | 75               | 12                     |
| D40-14      | 40                  | 75               | 14                     |
| D40-16      | 40                  | 75               | 16                     |
| D40-18      | 40                  | 75               | 18                     |
| D40-20      | 40                  | 75               | 20                     |
| D40-25      | 40                  | 75               | 25                     |
| D40-32      | 40                  | 75               | 32                     |
| D50-08      | 50                  | 75               | 8                      |
| D50-10      | 50                  | 75               | 10                     |
| D50-12      | 50                  | 75               | 12                     |
| D50-16      | 50                  | 75               | 16                     |
| D50-20      | 50                  | 75               | 20                     |
| D50-25      | 50                  | 75               | 25                     |
| D50-32      | 50                  | 75               | 32                     |
| D50-40      | 50                  | 75               | 40                     |
| D60-08      | 60                  | 75               | 8                      |
| D60-10      | 60                  | 75               | 10                     |
| D60-12      | 60                  | 75               | 12                     |
| D60-16      | 60                  | 75               | 16                     |
| D60-20      | 60                  | 75               | 20                     |
| D60-25      | 60                  | 75               | 25                     |
| D60-32      | 60                  | 75               | 32                     |
| D60-40      | 60                  | 75               | 40                     |
| D60-50      | 60                  | 75               | 50                     |

ПЕРЕХОДНАЯ ВТУЛКА ДЛЯ ИНСТРУМЕНТА С ВНУТРЕННИМ ПОДВОДОМ СОЖ

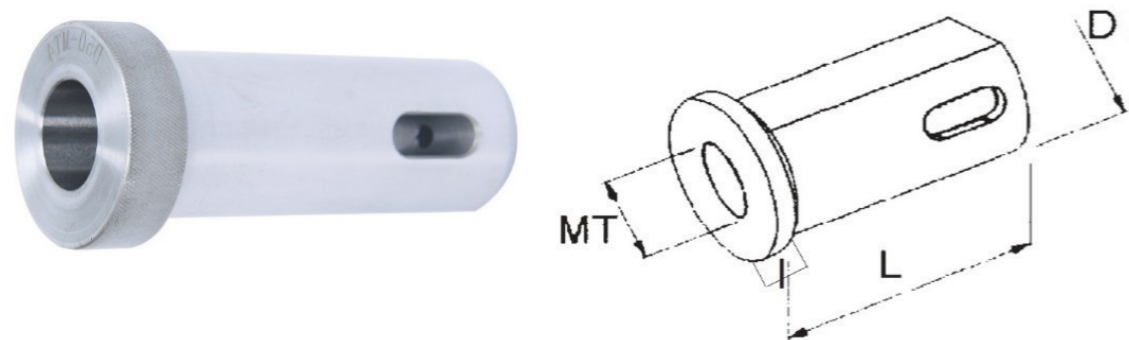


| ОБОЗНАЧЕНИЕ | ВНЕШНИЙ ДИАМЕТР (D) | ДЛИНА ПЕРЕДНЕЙ ЧАСТИ (L1) | ДЛИНА ЗАЖИМА (L2) | ВНУТРЕННИЙ ДИАМЕТР (d) |
|-------------|---------------------|---------------------------|-------------------|------------------------|
| D20-04AC    | 20                  | 12                        | 50                | 4                      |
| D20-05AC    | 20                  | 12                        | 50                | 5                      |
| D20-06AC    | 20                  | 12                        | 50                | 6                      |
| D20-07AC    | 20                  | 12                        | 50                | 7                      |
| D20-08AC    | 20                  | 12                        | 50                | 8                      |
| D20-09AC    | 20                  | 12                        | 50                | 9                      |
| D20-10AC    | 20                  | 12                        | 50                | 10                     |
| D20-12AC    | 20                  | 12                        | 50                | 12                     |
| D20-16AC    | 20                  | 12                        | 50                | 16                     |
| D25-05AC    | 25                  | 14                        | 50                | 5                      |
| D25-06AC    | 25                  | 14                        | 50                | 6                      |
| D25-08AC    | 25                  | 14                        | 50                | 8                      |
| D25-10AC    | 25                  | 14                        | 50                | 10                     |
| D25-12AC    | 25                  | 14                        | 50                | 12                     |
| D25-14AC    | 25                  | 14                        | 50                | 14                     |
| D25-16AC    | 25                  | 14                        | 50                | 16                     |
| D25-18AC    | 25                  | 14                        | 50                | 18                     |
| D25-20AC    | 25                  | 14                        | 50                | 20                     |
| D32-06AC    | 32                  | 14                        | 75                | 6                      |
| D32-08AC    | 32                  | 14                        | 75                | 8                      |
| D32-10AC    | 32                  | 14                        | 75                | 10                     |
| D32-12AC    | 32                  | 14                        | 75                | 12                     |
| D32-14AC    | 32                  | 14                        | 75                | 14                     |
| D32-16AC    | 32                  | 14                        | 75                | 16                     |

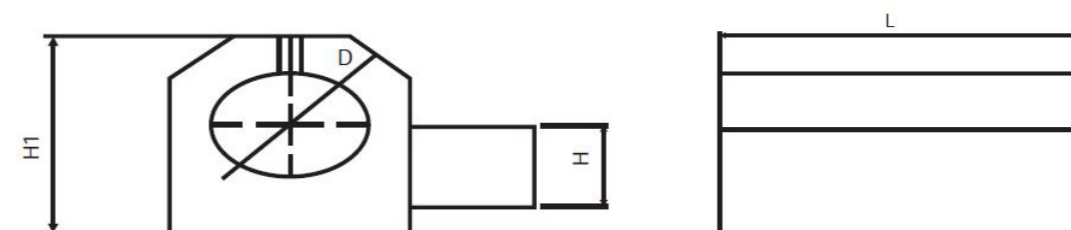
ПЕРЕХОДНАЯ ВТУЛКА ДЛЯ ИНСТРУМЕНТА С ВНУТРЕННИМ ПОДВОДОМ СОЖ



| ОБОЗНАЧЕНИЕ | ВНЕШНИЙ ДИАМЕТР (D) | ДЛИНА ПЕРЕДНЕЙ ЧАСТИ (L1) | ДЛИНА ЗАЖИМА (L2) | ВНУТРЕННИЙ ДИАМЕТР (d) |
|-------------|---------------------|---------------------------|-------------------|------------------------|
| D32-18AC    | 32                  | 14                        | 75                | 18                     |
| D32-20AC    | 32                  | 14                        | 75                | 20                     |
| D32-25AC    | 32                  | 14                        | 75                | 25                     |
| D40-06AC    | 40                  | 15                        | 85                | 6                      |
| D40-08AC    | 40                  | 15                        | 85                | 8                      |
| D40-10AC    | 40                  | 15                        | 85                | 10                     |
| D40-12AC    | 40                  | 15                        | 85                | 12                     |
| D40-14AC    | 40                  | 15                        | 85                | 14                     |
| D40-16AC    | 40                  | 15                        | 85                | 16                     |
| D40-18AC    | 40                  | 15                        | 85                | 18                     |
| D40-20AC    | 40                  | 15                        | 85                | 20                     |
| D40-25AC    | 40                  | 15                        | 85                | 25                     |
| D40-32AC    | 40                  | 15                        | 85                | 32                     |
| D50-08AC    | 50                  | 15                        | 100               | 8                      |
| D50-10AC    | 50                  | 15                        | 100               | 10                     |
| D50-12AC    | 50                  | 15                        | 100               | 12                     |
| D50-14AC    | 50                  | 15                        | 100               | 14                     |
| D50-16AC    | 50                  | 15                        | 100               | 16                     |
| D50-18AC    | 50                  | 15                        | 100               | 18                     |
| D50-20AC    | 50                  | 15                        | 100               | 20                     |
| D50-25AC    | 50                  | 15                        | 100               | 25                     |
| D50-32AC    | 50                  | 15                        | 100               | 32                     |
| D50-40AC    | 50                  | 15                        | 100               | 40                     |



| ОБОЗНАЧЕНИЕ | ВНЕШНИЙ ДИАМЕТР (D1) | ДЛИНА ПЕРЕДНЕЙ ЧАСТИ (l) | ОБЩАЯ ДЛИНА (L) |
|-------------|----------------------|--------------------------|-----------------|
| D20-MT1     | 20                   | 10                       | 67              |
| D20-MT2     | 20                   | 15                       | 72              |
| D25-MT1     | 25                   | 15                       | 75              |
| D25-MT2     | 25                   | 15                       | 75              |
| D25-MT3     | 25                   | 15                       | 85              |
| D32-MT1     | 32                   | 10                       | 75              |
| D32-MT2     | 32                   | 10                       | 90              |
| D32-MT3     | 32                   | 10                       | 90              |
| D40-MT1     | 40                   | 10                       | 75              |
| D40-MT2     | 40                   | 10                       | 85              |
| D40-MT3     | 40                   | 10                       | 100             |
| D40-MT4     | 40                   | 10                       | 120             |
| D50-MT2     | 50                   | 15                       | 110             |
| D50-MT3     | 50                   | 15                       | 120             |
| D50-MT4     | 50                   | 15                       | 150             |



| ОБОЗНАЧЕНИЕ | H  | D  | H1 | L   |
|-------------|----|----|----|-----|
| RD20-16     | 20 | 16 | 38 | 65  |
| RD25-16     | 25 | 16 | 38 | 65  |
| RD20-20     | 20 | 20 | 47 | 65  |
| RD25-20     | 20 | 25 | 47 | 65  |
| RD20-25     | 20 | 25 | 55 | 65  |
| RD25-25     | 25 | 25 | 55 | 65  |
| RD20-32     | 20 | 32 | 55 | 90  |
| RD25-32     | 25 | 32 | 55 | 90  |
| RD20-40     | 20 | 40 | 60 | 90  |
| RD25-40     | 25 | 40 | 60 | 90  |
| RD25-50     | 25 | 50 | 75 | 100 |
| RD32-40     | 32 | 40 | 65 | 100 |
| RD32-50     | 32 | 50 | 75 | 100 |